



Dynamic Audio Solutions

V-HLA⁺ MKII Series

VERTICAL LINE ARRAY SYSTEMS

QUICK START MANUAL

Revision A1-2014-05

www.ac-pro.net

Info@ac-pro.net

Welcome into the world of AUDIOCENTER, a world of Dynamic Audio Solutions. By acquiring a V-HLA+MKII series speaker, you will enjoy a product embedded with the last technological achievement and the best materials in pro audio. Many years of effort were put to reach our goal of excellence, creating a system without any quality or compromise for real professional people. We hope you will be pleased to use your new speaker like we are pleased to design it.

SAFETY PRECAUTIONS

When setting up, installing and using the V-HLA+ MKII series speaker system, there are a number of important safety precautions that you should follow:

- 1 Some aspects of rigging and other related fields for which AUDIOCENTER manufactures, sells, or distributes equipment are potentially hazardous. Any people using this equipment are personally responsible for their own safety. AUDIOCENTER transactions are made with the assumption that the purchaser is a qualified individual or will have only qualified individuals perform work with the equipment.
- 2 We strongly recommend that suspended speakers take into account all current national, federal, state and local regulations. It is the responsibility of the installer to ensure that speakers are safely installed in accordance with all such regulations.
- 3 If any sign of weakness or damage is detected, remedial action should be taken immediately.
- 4 When speakers are used for portable applications in which they will be positioned directly on the floor, make sure that the floor or stage is solid and secure. Do not try to make the stand "taller" and compromise its structural integrity.
- 5 Do not attempt to suspend more than one speaker on a stand designed for a single speaker.
- 6 Route cables and position the stand so that performers, production crew and audience members will not trip over the stand or cables and pull the speaker system over. Secure cables with wire ties or tap whenever possible.
- 7 Do not place loudspeakers near the magnetic sensitivity devices such as CRT display, television monitors or data storage material.
- 8 Loudspeakers are capable of generating sound pressure levels sufficient to cause permanent hearing damage to anyone within normal coverage distance. Caution should be taken to avoid prolonged exposure to sound pressure levels exceeding 105dB SPL.
- 9 To obtain service, contact your nearest AUDIOCENTER Service Center or Dealer.

PREVENTING LOUDSPEAKER DAMAGE

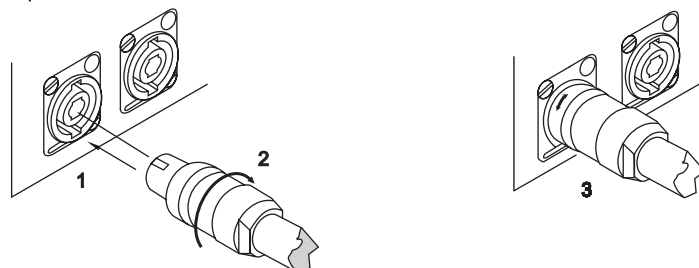
In general, the more powerful the amplifier the better it will sound, provided that it is not driven into sustained clipping. It should be understood that overdriving an insufficiently powered amplifier is more likely to cause loudspeaker damage. The total energy in a heavily clipped signal is far higher than in an unclipped signal than operating a more powerful amplifier within its ratings.

For long time working, it's very important to use a processor connected before the amplifier, calculate accurately the numerical value of the limiter about the system, which will be set into the processor.

If you don't have value of the limiter, please contact us. We look forward to helping you!

CONNECTING GUIDANCE

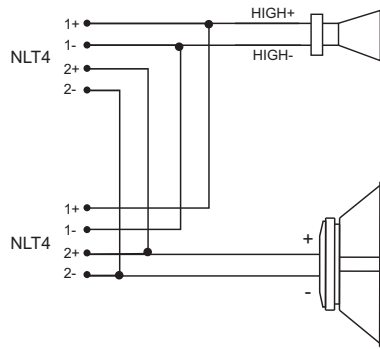
V-HLA+MKII series uses two NEUTRIK NL4MP SPEAKON connectors. These connectors are specific designed for loud speaker use, with in mind safe and reliable connection. To use your loudspeaker, insert the male SPEAKON connector into any of the input SPEAKON socket and rotate it clockwise. It will then lock into place and be ready for use. The two parallel connectors allow easy loop from one speaker to the next. Unused connector pins are also paralleled. Both connectors can be used as either inputs or outputs.



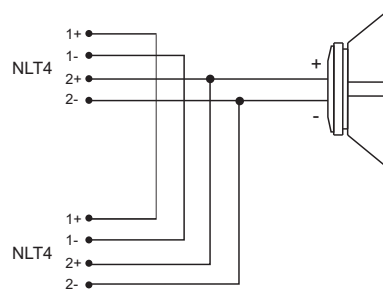
WIRING AND CONNECTING

To ensure quality sound and minimum power loss, the speaker cable needs to have a large enough cross section depending on the cable length, number of speakers per channel and speaker impedance. The total impedance for a number of speakers in parallel is equal to the impedance of one divided by the number of speakers.

WIRING SCHEMATIC



V-HLA10+MKII / V-HLA12+MKII



V-HLA10+SUBMKII



V-HLA10+MKII



V-HLA12+MKII



V-HLA10+SUBMKII

V-HLA+ MKII Series data sheet

Specifications	V-HLA10+MKII		V-HLA12+MKII		V-HLA10+SUBMKII
	LF	HF	LF	HF	LF
Power (AES standards)	RMS	350W	70W	700W	1200W
	Program	700W	140W	1400W	2400W
	Peak	1400W	280W	2800W	4800W
Impedance	8Ω	8Ω	8Ω	8Ω	8Ω
Frequency response(-6dB anechoic chamber)	62Hz~20KHz		54Hz~20KHz		40Hz~600Hz
Manufacturing consistency tolerance			±1.5dB (200Hz-10KHz)		±2dB (50Hz-130Hz)
Sensitivity	99dB/1W/1M	109dB/1W/1M	101dB/1W/1M	109dB/1W/1M	98dB/1W/1M
Average H2 distortion (100~10,000Hz)			<2% at 1W		
Average H3 distortion (100~10,000Hz)			<0.5% at 1W		
Directivity -6dB (H°xV°)	90°x15°		90°x12°		/
	Continuous	124dB	127dB	129dB	129dB
	Program	127dB	130dB	132dB	132dB
Maximum calculated SPL/1M	Peak	130dB	133dB	135dB	135dB
	Driver	L: Fattal (2.5"VC)	H: Beyma (2.84"VC/1.4"EXIT)	L: Fattal (4"VC)	H: Beyma (2.84"VC/1.4"EXIT)
Cabinet	High density Russian birch plywood CNC made, suitable for touring performance				
Finish	Emery spraying				
Connectors	2×NEUTRIK® Speakon NLT4MP				
Optional accessories	U bracket/Pin/Flying frame/Stacking frame/Flight case/Protection cover, etc				
Dimension(W×H×D)	586×285×402mm		666×336×462mm		586×550×555mm
Net weight	20kg		29kg		37kg
Technical support and after-sales service	Global application support team, EASE GLL files				